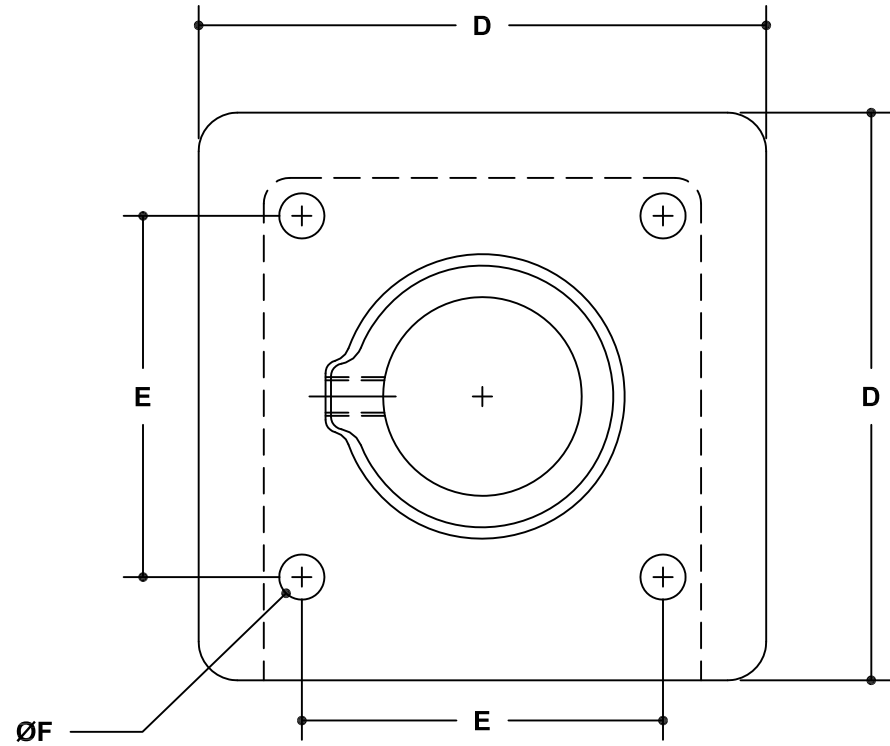


NOTE: DIMENSIONS LOCATED IN BOXES ARE COMMON  
SETBACK DIMENSIONS FOR EACH FITTING



## #45AF1 Square Sloped Floor Flange

SCALE: HALF

ENGLISH UNITS (Inches)							
PIPE SIZE	A	B	C	D	E	F	G
1½"	1.93	0.50	3.00	5.50	3.50	0.44	2.11

METRIC UNITS (mm)							
PIPE SIZE	A	B	C	D	E	F	G
1½"	49	13	76	140	89	12	54