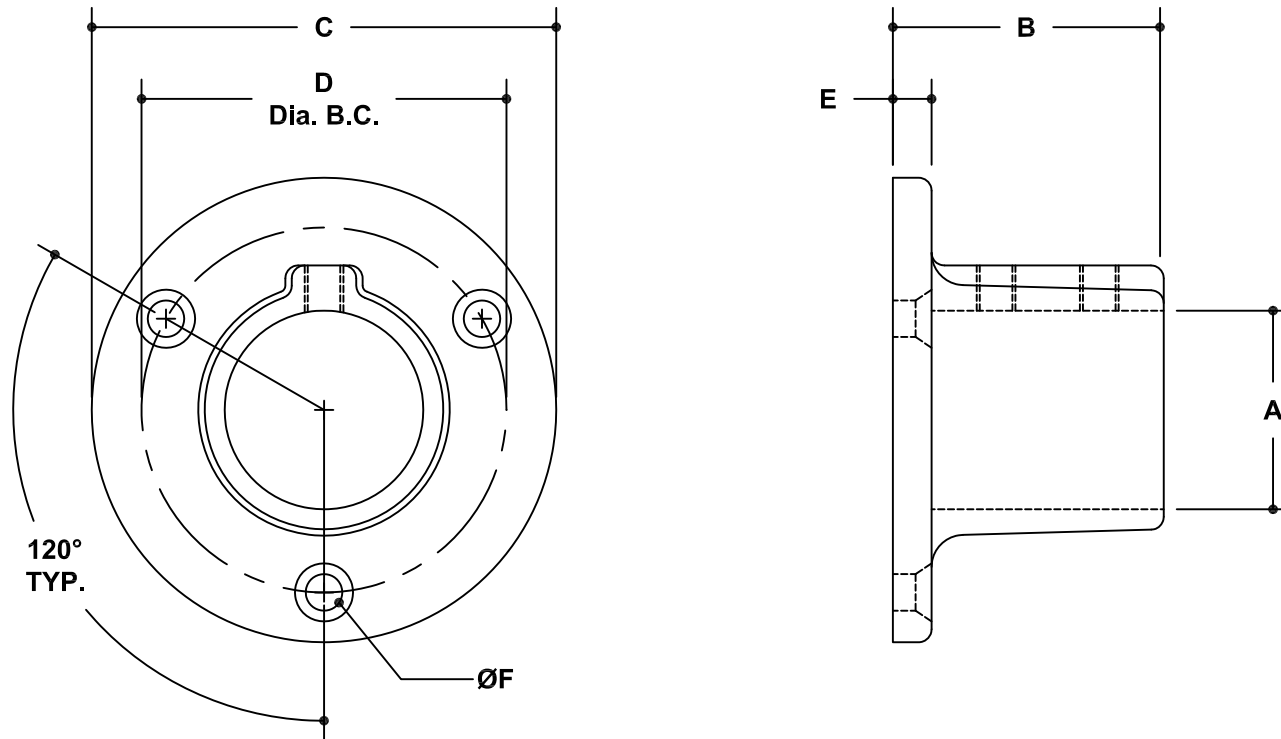


NOTE: DIMENSIONS LOCATED IN BOXES ARE COMMON
SETBACK DIMENSIONS FOR EACH FITTING



#42 Round Base Flange

SCALE: HALF

ENGLISH UNITS (Inches)							
PIPE SIZE	A	B	C	D	E	F	G
1"	1.34	2.13	3.00	2.38	0.31	0.25	
3/4"	1.07	1.75	2.50	2.00	0.25	0.19	

METRIC UNITS (mm)							
PIPE SIZE	A	B	C	D	E	F	G
1"	34	56	76	60	8	6.4	
3/4"	27	44	64	51	6.4	4.7	